



YAMAHA Impellers

YAMAHA is registered trademark of Yamaha Corporation.

Engine cc	Model	Year	PUMP Diameter	RECOMMENDED SOLAS IMPELLER			
				SERIES	STOCK Engine	LIMITED Engine	MODIFIED Engine
1812	SHO, SHO FZR/FZS	2008~	155mm	DYNAFLY	YS-DF-14/21	YS-DF-14/21, YS-DF-15/22	YS-DF-15/22
	FX High Output	2009~		CONCORD NEW	YS-CD-13/22	YS-CD-13/22, YS-CD-14/23	YS-CD-14/23
	FX CRUISER High Output	2009~		DYNAFLY	YS-DF-14/21	YS-DF-14/21, YS-DF-15/22	YS-DF-15/22
1300	Wave Runner GP1300R	2005~ 2003-2004	155mm	DYNAFLY	YG-DF-14/20	YG-DF-14/20, YG-DF-15/22	YG-CD-18/22
	Wave Runner XLT 1200	99-2005		CONCORD	YF-CD-12/18	YF-CD-13/19	YF-CD-14/20
1200	Wave Runner GP1200R	2000-2002	155mm	CONCORD	YF-CD-13/19	YF-CD-13/19	YF-CD-14/20
	Wave Runner SUV1200	99-2003		CONCORD	YF-CD-12/18	YF-CD-12/18	
	Wave Runner XL1200	98-99		CONCORD	YD-CD-12/18	YD-CD-12/18	YD-CD-13/19
	Wave Runner GP1200	97-99		CONCORD	YD-CD-13/19	YD-CD-13/19	YD-CD-14/20
	Wave Runner GP1200R	99		X Props	YD-SC-X0(14.5-17.5)	YD-SC-X0(14.5-17.5)	YD-SC-XI(15.5-18.5)
				CONCORD	YD-CD-13/19	YD-CD-13/19	YD-CD-14/20
1052	FX High Output	2004~2008	155mm	DYNAFLY	YG-DF-14/20	YG-DF-14/20, YG-DF-15/22	
	FX CRUISER High Output	2004~2008		DYNAFLY	YG-DF-14/20	YG-DF-14/20, YG-DF-15/22	YG-DF-15/22
	VX / VX sport / VX Deluxe / VX Crusier	2005~		CONCORD	YH-CD-18/22	YH-CD-18/22	
1100	Wave Raider 1100 / Wave Venture 1100	95-97	155mm	CONCORD	YD-CD-12/18	YD-CD-12/18	YD-CD-13/19
				X Props	YD-SC-X(13-16)	YD-SC-X(13-16)	YD-SC-X0(14.5-17.5)
				IJK SERIES	YD-SC-I(13-19)	YD-SC-I(13-19)	YD-SC-J(14-20)
998	FX-140 / FX Cruiser	2003~	155mm	CONCORD	YF-CD-12/18	YF-CD-13/19	YF-CD-13/19
800	Wave Runner GP800R	2001-2005	155mm	CONCORD	YF-CD-11/14	YF-CD-11/14	
	Wave Runner XL800	2000-2004		CONCORD	YF-CD-11/14	YF-CD-11/14	
	Wave Runner GP800	98-2000	144mm	CONCORD	YB-CD-14/18	YB-CD-15/19	YB-CD-16/20
				X Props	YB-SC-X0(15.5-18.5)	YB-SC-X0(15.5-18.5)	YB-SC-XI(16-19)
	Wave Runner XL800	98-99	144mm	IJK SERIES	YB-SC-J(14.7-18.5)	YB-SC-J(14.7-18.5)	YB-SC-K(15-19)
				CONCORD	YB-CD-13/17	YB-CD-14/18	YB-CD-15/19
760	Wave Runner GP760	97-2000	144mm	X Props	YB-SC-X(15-18)	YB-SC-X0(15.5-18.5)	YB-SC-XI(16-19)
				IJK SERIES	YB-SC-I(14.5-18)	YB-SC-J(14.7-18.5)	YB-SC-K(15-19)
	Wave Radier 760	96	155mm	IJK SERIES	YB-SC-I(14.5-18)	YB-SC-I(14.5-18)	YB-SC-J(14.7-18.5)
	Wave Runner XL760 / Wave Venture 760	98-99		CONCORD	YD-CD-11/14	YD-CD-11/14	
				X Props	YD-SC-X(13-16)	YD-SC-X(13-16)	
	Wave Blaster II	96-97		IJK SERIES	YD-SC-S(12-18.5)	YD-SC-S(12-18.5)	YD-SC-I(13-19)
CONCORD			YD-CD-11/14	YD-CD-11/14			
701	VX 700	2006~	155mm	CONCORD	YH-CD-11/14	YH-CD-11/14	
	Wave Raider 700 / Wave Deluxe / Venture	94-97	144mm	CONCORD	YB-CD-13/17	YB-CD-13/17,14/18(94-95)	YB-CD-14/18,15/19(94-95)
				X Props	YB-SC-X(15-18)	YB-SC-X0(15.5-18.5)	YB-SC-XI(16-19)
				IJK SERIES	YB-SC-J(14.7-18.5)	YB-SC-K(15-19)	YB-SC-K(15-19)
	Wave Blaster / Wave Runner GP700 / Pro VXR	93-97	144mm	CONCORD	YB-CD-13/17	YB-CD-13/17	YB-CD-14/18
				X Props	YB-SC-X(15-18)	YB-SC-X0(15.5-18.5)	YB-SC-XI(16-19)
	SuperJet	2008~ 94-2007	155mm	IJK SERIES	YB-SC-I(14.5-18)	YB-SC-J(14.7-18.5)	YB-SC-K(15-19)
CONCORD				YQ-CD-12/18	YQ-CD-13/19	YQ-CD-13/19	
Wave Runner XL700	99-2005	155mm	CONCORD	YB-CD-13/17	YB-CD-13/17	YB-CD-14/18	
			IJK SERIES	YB-SC-I(14.5-18)	YB-SC-J(14.7-18.5)	YB-SC-K(15-19)	
650	Wave Runner III	90-96	144mm	IJK SERIES	YB-SC-S(14-17)	YB-SC-I(14-17)	YB-SC-J(14.7-18.5)
	SuperJet	90-93	IJK SERIES	YB-SC-I(14.5-18)	YB-SC-J(14.7-18.5)	YB-SC-K(15-19)	
	VXR	91-95	IJK SERIES	YB-SC-S(14-17)	YB-SC-I(14.5-18)	YB-SC-J(14.7-18.5)	
500	Wave Jammer 650 / LX 650	ALL	Tapered	ABC SERIES	YA-SC-A(13-18)	YA-SC-A(13-18)	YA-SC-B(14-19)
	Wave Runner 500 / Wave JAMMER 500	ALL	Tapered	ABC SERIES	YA-SC-A(13-18)	YA-SC-B(14-19)	YA-SC-B(14-19)

 **YAMAHA** JETBOAT

Engine cc	Model	Year	PUMP Diameter	RECOMMENDED SOLAS IMPELLER	
				SERIES	STOCK ENGINE
1200	Exciter 135	98-2000	155mm	UK SERIES	YD-SC-I(13-19)
1100(2)	Exciter 220	97-98	155mm	UK SERIES	YD-SC-I(13-19)
1200(2)	Exciter 270	98-2000	155mm	X Props	YD-SC-X(13-16)
				UK SERIES	YD-SC-I(13-19)
1200(2)	LS2000 / LX2000	1999-2002		CONCORD	YD-CD-12/18
				X Props	YD-SC-X(13-16)
1200(2)	LX210	2003-2005		CONCORD	YD-CD-12/18
				X Props	YD-SC-X(13-16)
1200(2)	AR210	2004-2005		CONCORD	YD-CD-12/18
				X Props	YD-SC-X(13-16)
1200(2)	XR1800	2000-2001		CONCORD	YF-CD-13/19
				X Props	YF-SC-X(13-16)
998(2)	SX 230 /SR 230/ AR 230	2004-2005	155mm	CONCORD	YF-CD-12/18
				X Props	YF-SC-X(13-16)
	SX210 / AR210 / SR210	2006~		DYNAFLY	YG-DF-14/20
1052(2)	SX230 / AR230 / SR 230	2006	155mm	CONCORD	YF-CD-13/19
	SX230 HO / AR230 HO / SR 230 HO	2005~		DYNAFLY	YG-DF-14/20

YAMAHA is registered trademark of Yamaha Corporation.





YAMAHA Jet Pump

YAMAHA is registered trademark of Yamaha Corporation.

Engine cc	Model	Year	IMPELLER APPLICATION	RECOMMENDED SOLAS PUMP		
1052	FX High Output	2004~	SOLAS YF IMPELLER	 YFS-HS-155		
	FX CRUISER High Output	2004~				
998	FX-140 / FX Cruiser	2003~				
1300	Wave Runner GP1300R	2003~				
	Wave Runner XLT 1200	99-2005				
1200	Wave Runner GP1200R	2000-2002				
	Wave Runner SUV1200	99-2003				
	Wave Runner XL1200	98-99				
800	Wave Runner GP800R	2001-2005				
	Wave Runner XL800	2000-2004				
1200	Wave Runner GP1200	97-99			SOLAS YD IMPELLER	 YDS-HS-155
	Wave Runner GP1200R	99				
1100	Wave Raider 1100 / Wave Venture 1100	95-97				
760	Wave Runner XL760 / Wave Venture 760	98-99				
	Wave Blaster II	96-97				
701	Wave Runner XL700	99-2005				
800	Wave Runner GP800	98-2000	SOLAS YP IMPELLER YPS-CD-15/23 YPS-CD-16/24 Accessories: Seal; SL007/SL009 Wrench: WR007	 YPS-PM-140/74(12 VANE)		
	Wave Runner XL800	98-99				
760	Wave Runner GP760	97-2000				
	Wave Radler 760	96				
701	Wave Raider 700 / Wave Deluxe / Venture	94-97				
	Wave Blaster / Wave Runner GP700 / Pro VXR	93-97				
	SuperJet	94-2007				
800	Wave Runner GP800	98-2000			SOLAS YB IMPELLER	 YBS-HS-144
	Wave Runner XL800	98-99				
760	Wave Runner GP760	97-2000				
	Wave Radler 760	96				
701	Wave Raider 700 / Wave Deluxe / Venture	94-97				
	Wave Blaster / Wave Runner GP700 / Pro VXR	93-97				
	SuperJet	94-2007				



The impeller is an optional part.

 **YAMAHA** Intake Grates

Engine cc	Model	Year	INTAKE GRATE
1052	FX High Output	2004-07	 SY0303
	FX CRUISER High Output	2004-07	
701	Wave Blaster	93-97	 YB-IG-B
	Superjet	94~	

YAMAHA is registered trademark of Yamaha Corporation.

Kawasaki Intake Grates

Engine cc	Model	Year	INTAKE GRATE
1176	ULTRA 150	99-2006	 KH-IG-B
1071	ULTRA 130 DI	2001-2006	
750	750 SX	92-96	 KE-IG-B
	750 SXi	95-96	
	750 XIR	94	

kawasaki is registered trademark of Kawasaki Motors Corp. USA

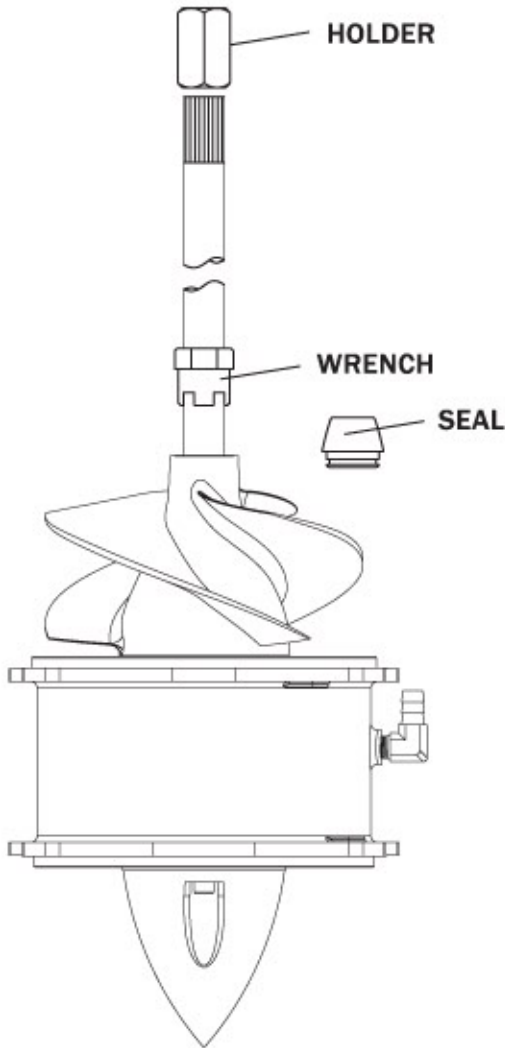




YAMAHA

YAMAHA is registered trademark of Yamaha Corporation.

Impeller Accessories & Installation Guide



1. Remove and separate the whole jet pump from the PWC.
2. Hold the front end of the drive shaft with a shaft holder (optional part) on bench vise.
3. Remove the impeller (a free impeller wrench is included when purchase a new SOLAS Impeller) .Turning clockwise will loosen the impeller.
4. Visually inspect thread on shaft & impeller for debris or damage. Apply grease or anti-seize on the thread before installation.
5. Screw in the impeller by hand; please be careful of the sharp edges of the impeller. Tighten with the impeller wrench. If the impeller feels too tight or not threaded properly, unscrew the impeller, clean and check the thread.
6. Assemble the pump and refill O/E pump oil or grease to spec.

YAMAHA			
Impeller Series	Wrench	HOLDER	Seal
YA Super Camber(ABC Series)		 optional part	
	WR003	WR003H	SL003
YB Super Camber (UK Series) Xprop Series Concord Series		 optional part	 SLA008 SLO08A
	WR004	WR004H	SLA008(For shaft 18mm) SLO08A(For shaft 15mm)
YD Super Camber (UK Series) Xprop Series		 optional part	
	WR004	WR004H	SLA008
YD Concord Series		 optional part	
	WR007	WR007H	SLA009A
YF Concord Series Xprop Series		 optional part	
	WR007	WR007H	SLA009
YG Dynafly Series		 optional part	
	WR007	WR007H	SLA009
YS Dynafly Series		 optional part	
	WR014	WR014H	SLA014
YS Concord Series		 optional part	
	WR014	WR014H	SLA016

* Some of wrenches are optional parts. You can buy them from SOLAS local dealer.

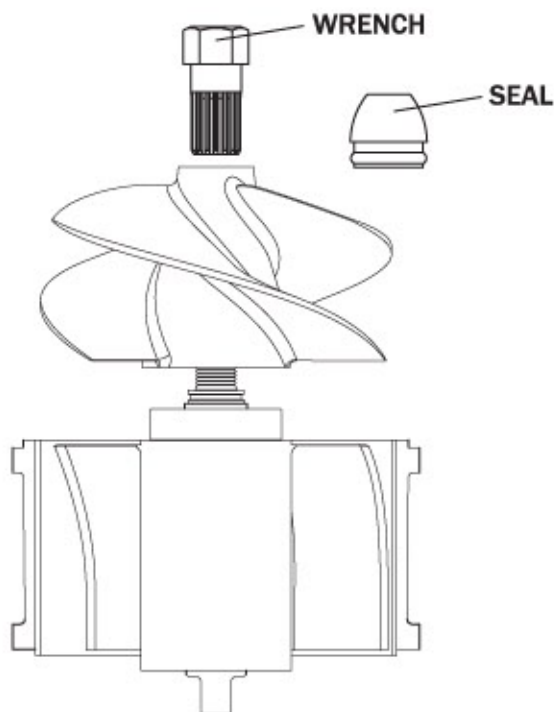
* This installation guide is suggested for reference only.
(Please refer to your original service manual or contact your PWC Dealer for detail.)



YAMAHA

YAMAHA is registered trademark of Yamaha Corporation.

Impeller Accessories & Installation Guide



YH kits are for 2005/2006 VX110 / VX110 SPORT and VX700 (2006~)

YAMAHA		
Impeller Series	Wrench	Seal
YH Concord Series	 optional part	
	WR001	SLA009

* Some of wrenches are optional parts. You can buy them from SOLAS local dealer.

1. Remove and separate the whole jet pump from the PWC.
2. Remove the trail cone (or cap) from the stator.
3. Hold the rear end of the shaft with a bench vise. Remove the impeller with an impeller wrench (optional part) . Turning counter clockwise will loosen the impeller.
4. Visually inspect thread on shaft & impeller for debris or damage. Apply grease or anti-seize on the thread before installation.
5. Screw in the impeller by hand; please be careful of the sharp edges of the impeller. Tighten with the impeller wrench. If the impeller feels too tight or not threaded properly, unscrew the impeller, clean and check the thread.
6. Assemble the pump and put it back on the PWC.

* This installation guide is suggested for reference only.
(Please refer to your original service manual or contact your PWC Dealer for detail.)