

TIGERSHARK Impellers

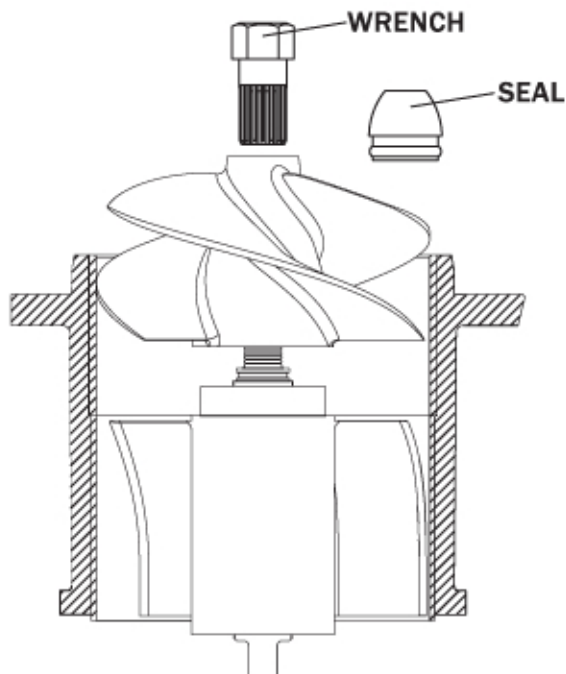
TIGERSHARK is registered trademark of Tigershark Co., Inc.

Engine cc	Model	Year	PUMP Diameter	RECOMMENDED SOLAS IMPELLER			
				SERIES	STOCK Engine	LIMITED Engine	MODIFIED Engine
1100	TS 1100R / TS 1100LI	99	148mm	CONCORD	PA-CD-14/20	PA-CD-14/20	PA-CD-15/21
	TS 1000L / TS 1000R	98-99	146mm	X prop	TB-SC-X(15-18)	TB-SC-X0(15.5-18.5)	TB-SC-XI(16-19)
999	TS 1000R	98		IJK Series	TB-SC-I(15.5-19.5)	TB-SC-J(16-20.5)	TB-SC-K(16-21)
				X prop	TB-SC-X(15-18)	TB-SC-X0(15.5-18.5)	TB-SC-XI(16-19)
999	Daytona 1000R	98		IJK Series	TB-SC-I(15.5-19.5)	TB-SC-J(16-20.5)	TB-SC-K(16-21)
				X prop	TB-SC-X(15-18)	TB-SC-X0(15.5-18.5)	TB-SC-XI(16-19)
	Daytona 1000	97		IJK Series	TB-SC-I(15.5-19.5)	TB-SC-J(16-20.5)	TB-SC-K(16-21)
				X prop	TB-SC-X(15-18)	TB-SC-X0(15.5-18.5)	TB-SC-XI(16-19)
Monte Carlo 1000	97	IJK Series		TB-SC-I(15.5-19.5)	TB-SC-J(16-20.5)	TB-SC-K(16-21)	
		X prop		TB-SC-X(15-18)	TB-SC-X0(15.5-18.5)	TB-SC-XI(16-19)	
896	Monte Carlo 900	96		X prop	TB-SC-X(15-18)	TB-SC-X0(15.5-18.5)	TB-SC-XI(16-19)
			IJK Series	TB-SC-I(15.5-19.5)	TB-SC-J(16-20.5)	TB-SC-K(16-21)	
768	TS 770R / TS 770R	98-99	146mm	X prop	TB-SC-X(15-18)	TB-SC-X(15-18)	TB-SC-X0(15.5-18.5)
				IJK Series	TB-SC-I(15.5-19.5)	TB-SC-I(15.5-19.5)	TB-SC-I(15.5-19.5)
	TS 770	98-99		X prop	TB-SC-X(15-18)	TB-SC-X(15-18)	TB-SC-X0(15.5-18.5)
				IJK Series	TB-SC-I(15.5-19.5)	TB-SC-I(15.5-19.5)	TB-SC-I(15.5-19.5)
	Daytona 770R / 770	98		X prop	TB-SC-X(15-18)	TB-SC-X(15-18)	TB-SC-X0(15.5-18.5)
				IJK Series	TB-SC-I(15.5-19.5)	TB-SC-I(15.5-19.5)	TB-SC-I(15.5-19.5)
	Monte Carlo 770	96-97		X prop	TB-SC-X(15-18)	TB-SC-X(15-18)	TB-SC-X0(15.5-18.5)
				IJK Series	TB-SC-I(15.5-19.5)	TB-SC-I(15.5-19.5)	TB-SC-I(15.5-19.5)
639	TS 640/640L	98-99	146mm	IJK Series	TB-SC-I(15.5-19.5)	TB-SC-I(15.5-19.5)	TB-SC-J(16-20.5)
	Montego	97~		IJK Series	TB-SC-I(15.5-19.5)	TB-SC-I(15.5-19.5)	TB-SC-J(16-20.5)
	Montego Deluxe	96-97		IJK Series	TB-SC-I(15.5-19.5)	TB-SC-I(15.5-19.5)	TB-SC-J(16-20.5)
	Monte Carlo 640	96-97		IJK Series	TB-SC-I(15.5-19.5)	TB-SC-I(15.5-19.5)	TB-SC-J(16-20.5)
	Daytona 640	94-95	142mm	IJK Series	TA-SC-I(14.5-18)	TA-SC-I(14.5-18)	TA-SC-J(15.5-19)
				IJK Series	TA-SC-I(14.5-18)	TA-SC-I(14.5-18)	TA-SC-J(15.5-19)
	Montego	94-96	IJK Series	TA-SC-I(14.5-18)	TA-SC-I(14.5-18)	TA-SC-J(15.5-19)	
	Montego Deluxe	95-97	IJK Series	TA-SC-I(14.5-18)	TA-SC-I(14.5-18)	TA-SC-J(15.5-19)	
	Monte Carlo 640	94-95	IJK Series	TA-SC-I(14.5-18)	TA-SC-I(14.5-18)	TA-SC-J(15.5-19)	
	Barracuda	94-95	IJK Series	TA-SC-I(14.5-18)	TA-SC-I(14.5-18)	TA-SC-J(15.5-19)	





TIGERSHARK Impeller Accessories & Installation Guide



1. Remove and separate the whole jet pump from the PWC.
2. Remove the trail cone (or cap) from the stator.
3. Hold the rear end of the shaft with a bench vise.
Remove the impeller with an impeller wrench (optional part).
Turning counter clockwise will loosen the impeller.
4. Visually inspect thread on shaft & impeller for debris or damage. Apply grease or anti-seize on the thread before installation.
5. Screw in the impeller by hand; please be careful of the sharp edges of the impeller. Tighten with the impeller wrench. If the impeller feels too tight or not threaded properly, unscrew the impeller, clean and check the thread.
6. Assemble the pump and put it back on the PWC.

HONDA		
Impeller Series	Wrench	Seal
HA Concord Series	 optional part	
	WR001	SLA010
POLARIS		
Impeller Series	Wrench	Seal
PL Super Camber (ABC Series) Super Camber (UK Series)	 optional part	
	WR006	SL006
PA Super Camber (ABC Series) Super Camber (UK Series) Xprop Series Concord Series	 optional part	 SL006 SL012
	WR006	SL006, SL012
PF Concord Series	 optional part	
	WR006	SL009
TIGER SHARK		
Impeller Series	Wrench	Seal
TA Super Camber (UK Series)		ORIGINAL
TB Super Camber (UK Series) Xprop Series	 optional part	
	WR006	SL009

* Some of wrenches and seals are the optional part. You can buy them from SOLAS local dealer.

* This installation guide is suggested for reference only.
(Please refer to your original service manual or contact your PWC Dealer for detail.)