



Kawasaki Impellers

Kawasaki is registered trademark of Kawasaki Motors Corp. USA

Engine cc	Model	Year	PUMP Diameter	RECOMMENDED SOLAS IMPELLER			
				SERIES	STOCK Engine	LIMITED Engine	MODIFIED Engine
1498	ULTRA 260X/260LX	2008~	155mm	CONCORD NEW	KX-CD-15/23	KX-CD-15/23,KX-CD-16/24	KX-CD-16/24
	ULTRA 250X	2007~		CONCORD NEW	KX-CD-15/23 KX-CD-16/21	KX-CD-15/23,KX-CD-16/24	KX-CD-16/24
	ULTRA LX	2007~		CONCORD	KX-CD-10/16	KX-CD-10/16	
	STX-15F	2004~		CONCORD	KG-CD-14/21	KG-CD-14/21	KG-CD-15/21
1199	STX-12F	2003~	149mm	CONCORD	KG-CD-13/19	KG-CD-13/19	KG-CD-14/20
1176	ULTRA 150	99-2006	Tapered	DYNAFLY	KH-DF-16/20	KH-DF-16/20	KH-DF-17/21
	1200 STX-R	2002-2006	148mm	CONCORD	KG-CD-15/21	KG-CD-15/21	KG-CD-16/22
1071	1100 STX DI	2001-2003	148mm	CONCORD	KG-CD-13/19	KG-CD-13/19	KG-CD-14/20
				X Props	KG-SC-X(16.5-24)	KG-SC-X(16.5-24)	KG-SC-X0(17-24.5)
	1100 STX	97-98	CONCORD	KG-CD-13/19	KG-CD-13/19	KG-CD-14/20	
			X Props	KG-SC-X(16.5-24)	KG-SC-X(16.5-24)	KG-SC-X0(17-24.5)	
1100 ZXI	96-2003	148mm	CONCORD	KG-CD-13/19	KG-CD-13/19	KG-CD-14/20	
		148mm	X Props	KG-SC-X(16.5-24)	KG-SC-X(16.5-24)	KG-SC-X0(17-24.5)	
891	900 STX	2003-2006	148mm	CONCORD	KG-CD-12/18	KG-CD-12/18	KG-CD-13/19
	900 STX / STS / Zxi	96-2002	140mm	X Props	KF-SC-X(16-23)	KF-SC-X0(18-23.5)	KF-SC-XI(19-25)
782	800 SX-R	2003~	140mm	UK SERIES	KF-SC-I(16-21)	KF-SC-I(16-21)	KF-SC-J(17-22)
				DYNAFLY	KP-DF-13/22	KP-DF-14/23	KP-DF-14/23, 15/24
743	750 Sxi Pro	95-2002	140mm	CONCORD	KE-CD-09/15	KE-CD-11/16	KE-CD-11/16
				X Props	KE-SC-X(14-21)	KE-SC-X(14-21)	KE-SC-X(14-21)
				UK SERIES	KE-SC-S(13-18)	KE-SC-S(13-18)	KE-SC-I(14-19)
	750 STS	95-2001	CONCORD	KE-CD-11/16	KE-CD-12/18	KE-CD-12/18	
			X Props	KE-SC-X(14-21)	KE-SC-X(14-21)	KE-SC-XI(16-23)	
			UK SERIES	KE-SC-S(13-18)	KE-SC-I(14-19)	KE-SC-J(15-20)	
	750 Xi Sport	93-2000	CONCORD	KE-CD-11/16	KE-CD-12/18	KE-CD-12/18	
			X Props	KE-SC-X(14-21)	KE-SC-X(14-21)	KE-SC-XI(16-23)	
			UK SERIES	KE-SC-S(13-18)	KE-SC-I(14-19)	KE-SC-J(15-20)	
	750 ZXI	95-97	CONCORD	KE-CD-11/16	KE-CD-12/18	KE-CD-12/18	
			X Props	KE-SC-X(14-21)	KE-SC-X(14-21)	KE-SC-XI(16-23)	
			UK SERIES	KE-SC-S(13-18)	KE-SC-I(14-19)	KE-SC-J(15-20)	
	750 Xi	93-97	CONCORD	KE-CD-11/16	KE-CD-12/18	KE-CD-12/18	
			X Props	KE-SC-X(14-21)	KE-SC-X(14-21)	KE-SC-XI(16-23)	
			UK SERIES	KE-SC-S(13-18)	KE-SC-I(14-19)	KE-SC-J(15-20)	
	750 SS	92-97	CONCORD	KE-CD-09/15	KE-CD-11/16	KE-CD-11/16	
			ABC SERIES	KE-SC-A(13-18)	KE-SC-B(14-19)	KE-SC-C(15-20)	
			CONCORD	KE-CD-11/16	KE-CD-12/18	KE-CD-12/18	
	750 SXi	95-96	ABC SERIES	KE-SC-A(13-18)	KE-SC-B(14-19)	KE-SC-C(15-20)	
			CONCORD	KE-CD-11/16	KE-CD-12/18	KE-CD-12/18	
			CONCORD	KE-CD-11/16	KE-CD-12/18	KE-CD-12/18	
	750 SX	92-96	UK SERIES	KE-SC-I(14-19)	KE-SC-J(15-20)	KE-SC-J(15-20)	
			ABC SERIES	KE-SC-A(13-18)	KE-SC-B(14-19)	KE-SC-C(15-20)	
			CONCORD	KE-CD-11/16	KE-CD-12/18	KE-CD-12/18	
750 XiR	94	UK SERIES	KE-SC-I(14-19)	KE-SC-J(15-20)	KE-SC-J(15-20)		
		ABC SERIES	KE-SC-A(13-18)	KE-SC-B(14-19)	KE-SC-C(15-20)		
		CONCORD	KE-CD-11/16	KE-CD-12/18	KE-CD-12/18		
750 ST	93-95	UK SERIES	KE-SC-I(14-19)	KE-SC-J(15-20)	KE-SC-J(15-20)		
		ABC SERIES	KE-SC-A(13-18)	KE-SC-B(14-19)	KE-SC-C(15-20)		
		CONCORD	KE-CD-11/16	KE-CD-12/18	KE-CD-12/18		
635	650 TS / 650 SX	89-96	140mm	UK SERIES	KA-SC-I(13-18)	KA-SC-I(13-18)	KA-SC-J(14-19)
				ABC SERIES	KA-SC-A(13-18)	KA-SC-B(14-19)	KA-SC-C(15-20)
	650 X-2 / 650JM	91-96		UK SERIES	KA-SC-I(13-18)	KA-SC-I(13-18)	KA-SC-J(14-19)
550	550 SX	90-96	Tapered	ABC SERIES	KD-SC-A(13-18)	KD-SC-B(14-19)	KD-SC-B(14-19)
	550 JS	82-89	ABC SERIES	KB-SC-A(13-18)	KB-SC-B(14-19)	KB-SC-B(14-19)	
440	440 JS	77-94	121mm	ABC SERIES	KC-SC-A(13-18)	KC-SC-B(14-19)	KC-SC-B(14-19)

Note: KG-CD-14/21 is the recommended impeller for KAWASAKI STX 15F (4-STROKE).

Kawasaki Jet Pump

kawasaki is registered trademark of Kawasaki Motors Corp. USA

Engine cc	Model	Year	IMPELLER APPLICATION	RECOMMENDED SOLAS PUMP
1498	STX-15F	2004~	SOLAS KG CONCORD	 KGS-HSV-148/74(12VANE)
1199	STX-12F	2003~		
1176	1200 STX-R	2002-2006		
1071	1100 STX DI	2001-2003		
	1100 STX	97-98		
	1100 ZXI	96-2003		
891	900 STX	2003-2006		
782	800 SX-R	2003~	SOLAS KP DYNAFLY	 KPS-PM-140/74T (12 VANE WITH TRIM SYSTEM)



The impeller is an optional part.

 **YAMAHA** Intake Grates

Engine cc	Model	Year	INTAKE GRATE
1052	FX High Output	2004-07	 SY0303
	FX CRUISER High Output	2004-07	
701	Wave Blaster	93-97	 YB-IG-B
	Superjet	94~	

YAMAHA is registered trademark of Yamaha Corporation.

Kawasaki Intake Grates

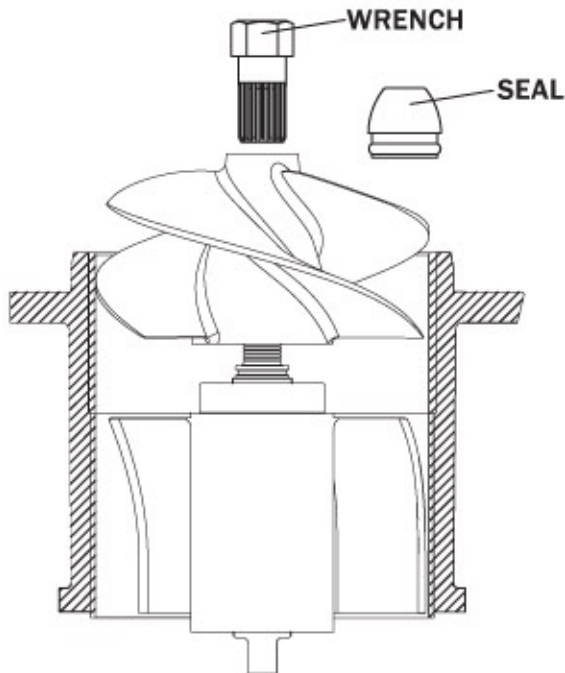
Engine cc	Model	Year	INTAKE GRATE
1176	ULTRA 150	99-2006	 KH-IG-B
1071	ULTRA 130 DI	2001-2006	
750	750 SX	92-96	 KE-IG-B
	750 SXi	95-96	
	750 XIR	94	

kawasaki is registered trademark of Kawasaki Motors Corp. USA



Kawasaki Impeller Accessories & Installation Guide

kawasaki is registered trademark of Kawasaki Motors Corp. USA



1. Remove and separate the whole jet pump from the PWC.
2. Remove the trail cone (or cap) from the stator.
3. Hold the rear end of the shaft with a bench vise.
Remove the impeller with an impeller wrench (optional part).
Turning counter clockwise will loosen the impeller.
4. Visually inspect thread on shaft & impeller for debris or damage. Apply grease or anti-seize on the thread before installation.
5. Screw in the impeller by hand; please be careful of the sharp edges of the impeller. Tighten with the impeller wrench. If the impeller feels too tight or not threaded properly, unscrew the impeller, clean and check the thread.
6. Assemble the pump and put it back on the PWC.

* Some of wrenches and seals are the optional part. You can buy them from SOLAS local dealer.

* This installation guide is suggested for reference only.
(Please refer to your original service manual or contact your PWC Dealer for detail.)

KAWASAKI		
Impeller Series	Wrench	Seal
KA Super Camber(ABC Series) Super Camber(UK Series)	 optional part WR001	 SLA009
	WR001	SLA009
KB Super Camber(ABC Series)	 WR002	 SL002
	WR002	SL002
KC Super Camber(ABC Series)	 optional part WR005	ORIGINAL
	WR005	ORIGINAL
KD Super Camber(ABC Series)	 optional part WR001	 SLA009
	WR001	SLA009
KE Super Camber(ABC Series) Super Camber(UK Series) Xprop Series, Concord Series KP Concord Series, Dynafly Series	 optional part WR001	 SLA009
	WR001	SLA009
KF Super Camber (UK Series) Xprop Series	 optional part WR001	 SLA009
	WR001	SLA009
KG Xprop Series Concord Series	 optional part WR001	 SLA009
	WR001	SLA009
KH Dynafly Series	 optional part WR001	 SL007
	WR001	SL007
KX Concord Series	 optional part WR001	 SLA009
	WR001	SLA009

* Some of wrenches are optional parts. You can buy them from SOLAS local dealer.