

# **HONDA** Impellers

Honda is registered trademark of Honda Motors Co., Inc.

Engine cc	Model	Year	PUMP Diameter	RECOMMENDED SOLAS IMPELLER			
				SERIES	STOCK Engine	LIMITED Engine	MODIFIED Engine
1235	R-12X	2004-2007	155mm	CONCORD	HA-CD-17/29	HA-CD-17/29	HA-CD-18/30
	F-12X / F-12X GPScape	2002~		CONCORD	HA-CD-17/29	HA-CD-17/29	HA-CD-18/30
1235	R-12	2004-2004		CONCORD	HA-CD-09/18	HA-CD-09/18	
	F-12	2002-2004		CONCORD	HA-CD-09/18	HA-CD-09/18	

# **POLARIS** Impellers

Polaris is registered trademark of Polaris Industries Inc.


Engine cc	Model	Year	PUMP Diameter	RECOMMENDED SOLAS IMPELLER			
				SERIES	STOCK Engine	LIMITED Engine	MODIFIED Engine
750	MSX 150	2003-2004	148mm	CONCORD	PA-CD-13/19	PA-CD-13/19	PA-CD-14/20
	MSX 110	2003-2004		CONCORD	PA-CD-12/18	PA-CD-12/18	PA-CD-12/18
1192	MSX 140	2003-2004	148mm	CONCORD	PA-CD-15/21	PA-CD-15/21	PA-CD-16/22
1165	Pro 1200	2000-2002	148mm	CONCORD	PA-CD-15/21	PA-CD-16/22	PA-CD-16/22
				X props	PA-SC-X0(16.5-23)	PA-SC-XI(17-24)	PA-SC-XII(15.5-26)
	IJK SERIES	PA-SC-I(15-24)					
	CONCORD	PA-CD-15/21		PA-CD-16/22	PA-CD-16/22		
	X props	PA-SC-X0(16.5-23)		PA-SC-XI(17-24)	PA-SC-XII(15.5-26)		
	IJK SERIES	PA-SC-I(15-24)		PA-SC-I(15-24)			
	X props	PA-SC-X0(16.5-23)		PA-SC-XI(17-24)	PA-SC-XII(15.5-26)		
	IJK SERIES	PA-SC-I(15-24)		PA-SC-I(15-24)			
Genesis FFI,	2000	2000	X props	PA-SC-X0(16.5-23)	PA-SC-XI(17-24)	PA-SC-XII(15.5-26)	
			IJK SERIES	PA-SC-I(15-24)	PA-SC-I(15-24)		
Genesis / Genesis I	99-2004	99-2004	X props	PA-SC-X0(16.5-23)	PA-SC-XI(17-24)	PA-SC-XII(15.5-26)	
			IJK SERIES	PA-SC-I(15-24)	PA-SC-I(15-24)		
1050	SL / SLX / SLXH / SLTX 1050	97-98	148mm	CONCORD	PA-CD-14/20	PA-CD-15/21	PA-CD-15/21
				X props	PA-SC-X(14-21)	PA-SC-X0(16.5-23)	PA-SC-X0(16.5-23)
				IJK SERIES	PA-SC-S(14-23)	PA-SC-I(15-24)	PA-SC-I(15-24)
900	SL900	96-97	148mm	CONCORD	PA-CD-13/19	PA-CD-14/20	PA-CD-14/20
				X props	PA-SC-X(14-21)	PA-SC-X0(16.5-23)	PA-SC-X0(16.5-23)
				IJK SERIES	PA-SC-S(14-23)	PA-SC-I(15-24)	PA-SC-I(15-24)
779	SLX Pro 785 / SL780 / SLT 780	96-2001	148mm	CONCORD	PA-CD-12/18	PA-CD-13/19	PA-CD-14/20
				X props	PA-SC-X(14-21)	PA-SC-X0(16.5-23)	PA-SC-X0(16.5-23)
				IJK SERIES	PA-SC-S(14-23)	PA-SC-I(15-24)	PA-SC-I(15-24)
777	VIRAGE I OCTANE	2002-2204	148mm	CONCORD	PA-CD-12/18	PA-CD-13/19	PA-CD-13/19
		2002-2004		CONCORD	PF-CD-15/23	PF-CD-16/24	PF-CD-16/24
744	SL 750 / SLT 750 / SL750	94-95	148mm	CONCORD	PA-CD-12/18	PA-CD-12/18	PA-CD-13/19
				IJK SERIES	PA-SC-S(14-23)	PA-SC-S(14-23)	
700	VIRAGE / FREEDOM	2000-2004	148mm	CONCORD	PA-CD-12/18	PA-CD-12/18	PA-CD-13/19
				IJK SERIES	PA-SC-S(14-23)	PA-SC-S(14-23)	
	CONCORD	PA-CD-12/18		PA-CD-12/18	PA-CD-13/19		
	IJK SERIES	PA-SC-S(14-23)		PA-SC-S(14-23)			
	SLH	98-2001		CONCORD	PA-CD-12/18	PA-CD-12/18	PA-CD-13/19
SL 700DLX / SL700 / Hurricane	96-97	96-97	CONCORD	PA-CD-12/18	PA-CD-12/18	PA-CD-13/19	
			IJK SERIES	PA-SC-S(14-23)	PA-SC-S(14-23)		

**HONDA** Intake Grates

Engine cc	Model	Year	INTAKE GRATE
1235 Turbo	F-12X	2002~2007	 HW1-IG-B
1235	F-12	2002~2007	

Honda is registered trademark of Honda Motors Co., Inc.

**POLARIS** Intake Grates

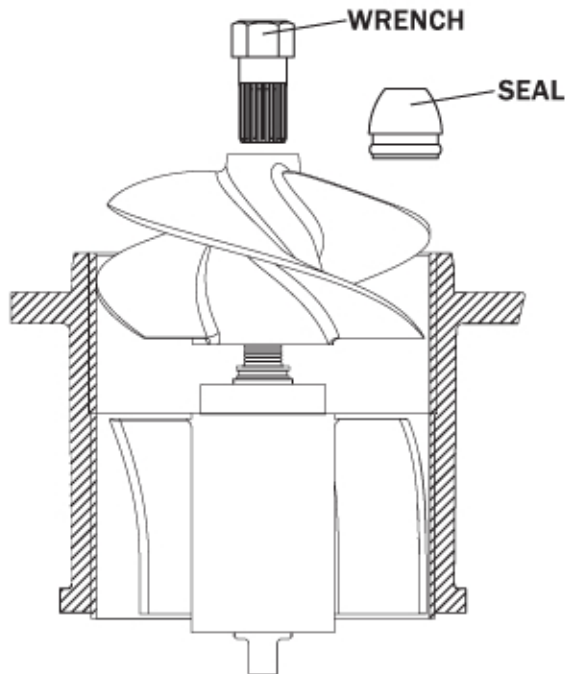
Engine cc	Model	Year	INTAKE GRATE
1165	Pro 1200	2000-2002	 PL-IG-B
	VIRAGE TX	2000-2002	
	VIRAGE TXI	2001-2002	
1050	SL 1050	97	
	SLX 1050	99	
	SLXH 1050	98	
	SLTX	96-98	
	900	SL900	
779	SLX Pro 785	96-2001	
	SL 780	96-97	
	SLT 780	96-97	
777	VIRAGE I	2002-2004	
	SL 750	94-95	
744	SLT 750	94-95	
	SL750	93	
	VIRAGE	2000-2004	
700	SLH	98-2001	
	SL 700DLX	97	
	SL 700	96-97	
	Hurricane	96-97	

Polaris is registered trademark of Polaris Industries Inc.





# TIGERSHARK Impeller Accessories & Installation Guide



1. Remove and separate the whole jet pump from the PWC.
2. Remove the trail cone (or cap) from the stator.
3. Hold the rear end of the shaft with a bench vise.  
Remove the impeller with an impeller wrench (optional part).  
Turning counter clockwise will loosen the impeller.
4. Visually inspect thread on shaft & impeller for debris or damage. Apply grease or anti-seize on the thread before installation.
5. Screw in the impeller by hand; please be careful of the sharp edges of the impeller. Tighten with the impeller wrench. If the impeller feels too tight or not threaded properly, unscrew the impeller, clean and check the thread.
6. Assemble the pump and put it back on the PWC.

HONDA		
Impeller Series	Wrench	Seal
<b>HA</b> Concord Series	 optional part	
	<b>WR001</b>	<b>SLA010</b>
POLARIS		
Impeller Series	Wrench	Seal
<b>PL</b> Super Camber (ABC Series) Super Camber (UK Series)	 optional part	
	<b>WR006</b>	<b>SL006</b>
<b>PA</b> Super Camber (ABC Series) Super Camber (UK Series) Xprop Series Concord Series	 optional part	
	<b>WR006</b>	<b>SL006, SL012</b>
<b>PF</b> Concord Series	 optional part	
	<b>WR006</b>	<b>SL009</b>
TIGER SHARK		
Impeller Series	Wrench	Seal
<b>TA</b> Super Camber (UK Series)		
		<b>ORIGINAL</b>
<b>TB</b> Super Camber (UK Series) Xprop Series	 optional part	
	<b>WR006</b>	<b>SL009</b>

\* Some of wrenches and seals are the optional part. You can buy them from SOLAS local dealer.

\* This installation guide is suggested for reference only.  
( Please refer to your original service manual or contact your PWC Dealer for detail. )